

The most compact pump



Applications

Pump for whirlpool baths and Showers

Technical features

Pump body in polypropylene

Insulation class 1

Complete draining (Retention 0)

Complete electric isolation on the driving shaft sleeve

Inlet :

Ø ext. G2" 1/4 male or threaded ASA

Outlet :

Ø ext. G2" 1/4 male or threaded ASA

Automatic motor thermal cut-out to 155°C +/- 5°C

Using restriction :

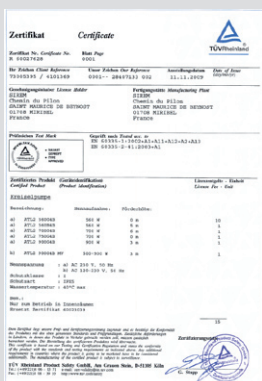
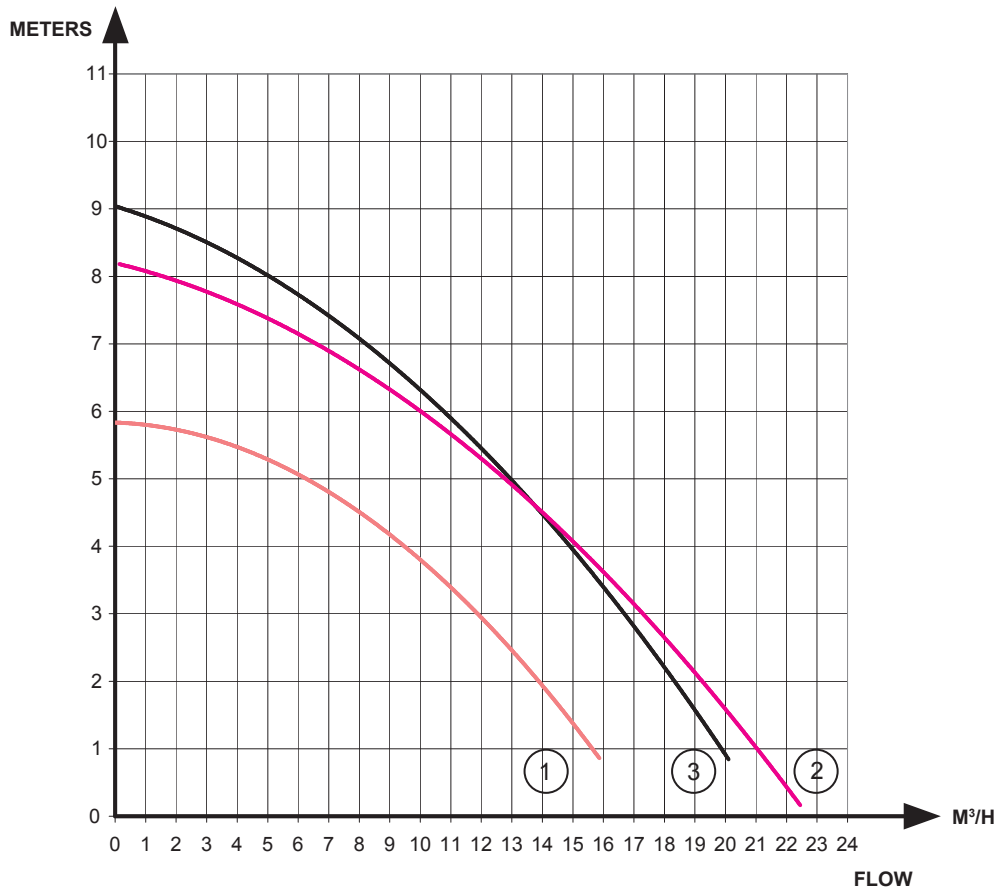
Maximum input pressure : 2,5 bar

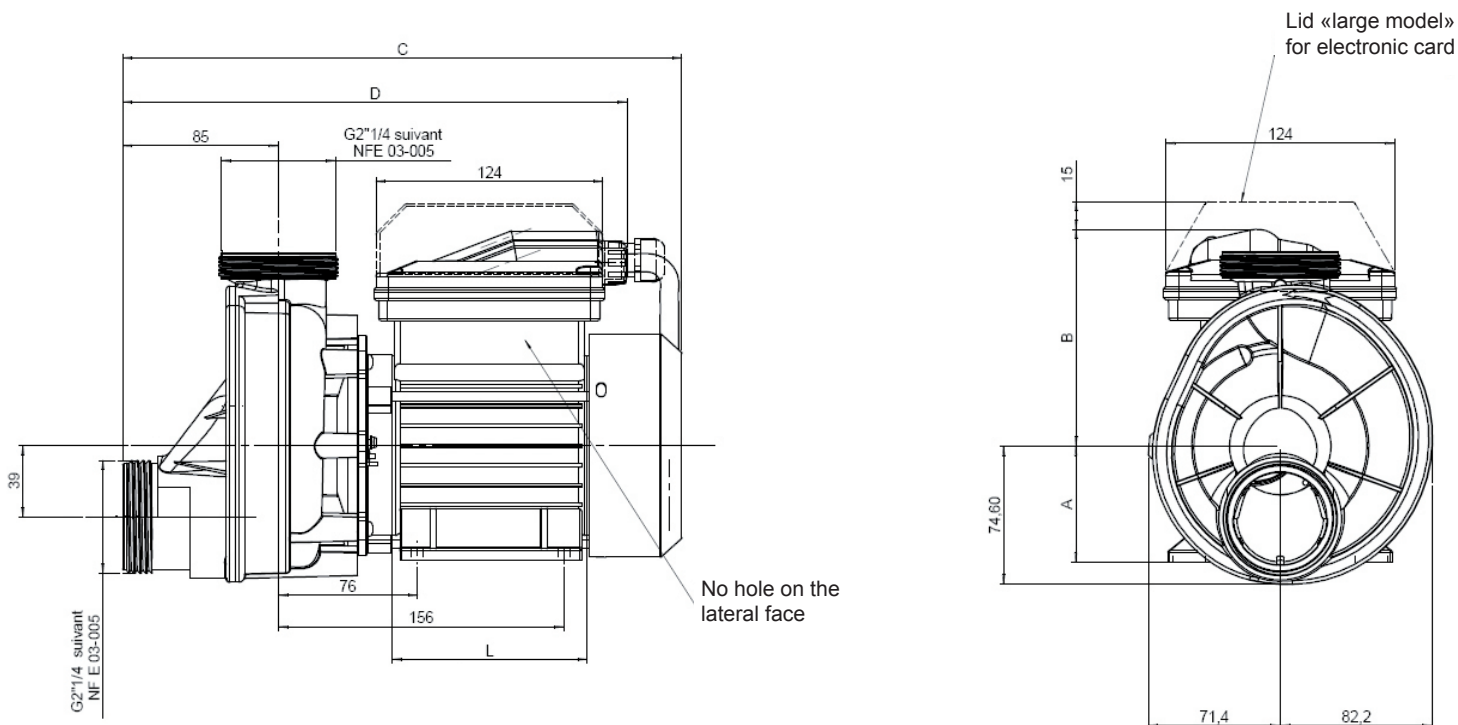
Maximum water temperature : 40°C

Minimum output pressure :
 0,1 bar on ATL2 560 G4B
 0,1 bar on ATL2 750 G4B
 0,1 bar on ATL2 900 G4B (MV)

Single Phase Type	Electric Power (W)	Max Flow (M ³ /hr)	Hmin (m)	Curves
ATL2 560 G4B	560	16	1	1
ATL2 750 G4B	750	22.5	1	2
ATL2 900 G4BMV*	900	20	1	3

*MV : variable speed 140-230V 50Hz





	Voltage Frequency	L (mm)	A (mm)	B (mm)	C (mm)	D (mm)	E (mm)	F (mm)	G (mm)
ATL2 560 G4B	230V - 50Hz	106,4	62,6	117,3	305,5	257,7	99,75	100	80
	220V - 60Hz								
ATL2 750 G4B	230V - 50Hz	106,4	62,6	117,3	305,5	257,7	99,75	100	80
	220V - 60Hz								
ATL2 900 G4B	230V - 50Hz	120,9	71,9	123,3	333,6	278,7	105,8	115,	91,7
	220V - 60Hz								

Options

230 V / 50 Hz
220 V / 60 Hz
110 V / 60 Hz

Multi-speed 130 V / 230 V for ATL2 900 G4B (MV)

Pneumatic switch (CP)

Electric cable (EC)
0.5 / 1 / 1.5 / 2 / 2.5m

1 function electronic card for electronic keypad
+ water level sensor (1F-EL)

1 function electronic card for pneumatic controller
+ water level sensor (1F-CP)

Other card on demand

Double switch

Terminal box

Available with body type N/L

General

These pumps comply with the standards and directives in force

Conform to standards
EN 60 335 - 1
EN 60 335 - 2 - 41
CE

	Types	Ref.	Illustrations
Tee Pump Fittings	Tee pump Ø 33.7 (thread 2")	1112330007	
	Tee pump Ø 32 (thread 2 1/4)	1112320007	
	Tee pump Ø 25 grooved	1112250007	
	Tee pump «Y» Ø 25	0313630001	
Pump Union Fittings	Pump union (thread ASA)	1112000008	
	Pump union Ø 50 (thread 2 1/4)	1112230018	
	Pump union Ø 40 (thread 2")	1112230028	
	Pump union elbow 90° Ø 50	1112590007	
	Pump union elbow 45° Ø 50	1112540007	
Leg for jet pump	Silent block Silent block (x4) Silent Block Ø 20 / H 20 Silent Block Ø 20 / H 30	2417000008 2417041018 2417000018 2417300018	