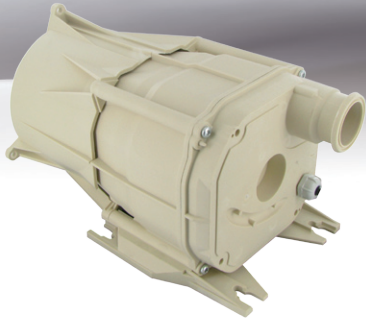


The power of technology in silence



Applications

Specially designed for air or mixed whirlpool systems

Technical Features

The less noisy : <69.5dBa to 80 mBar
 High powerful - High flow :
 Blower A-500 : 36 m³/h to 80 mBar
 Blower A-700 : 54 m³/h to 80 mBar
 Blower A-900 : 85 m³/h to 80 mBar

4 silent blocks included («neoprene»)

Protection class II

Grooved or to be stuck outlet fittings

IP X5 in horizontal position

Blower A-500

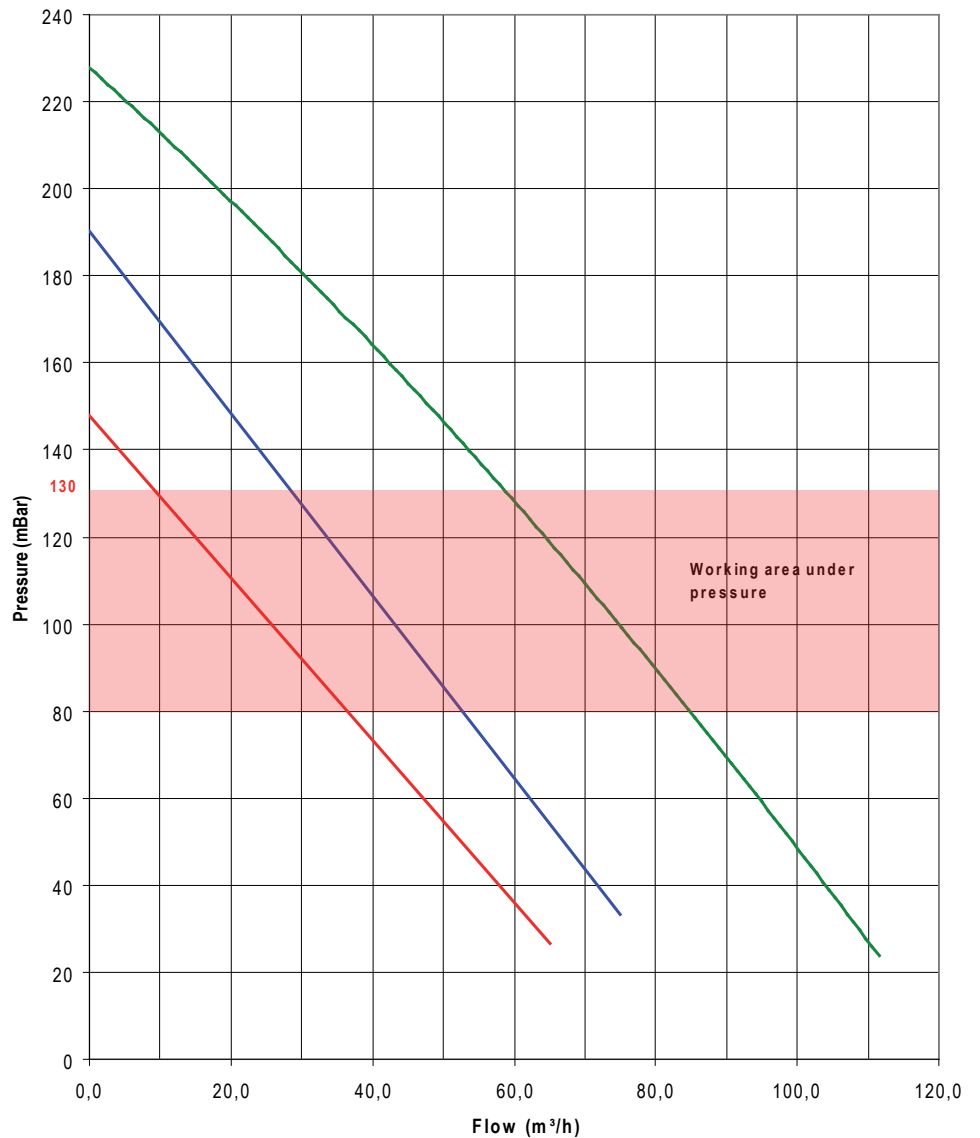
Motor : 500 W
 Heating option : 300W
 Total power with heater : 800W

Blower A-700

Motor : 700 W
 Heating option : 300W
 Total power with heater : 1000W

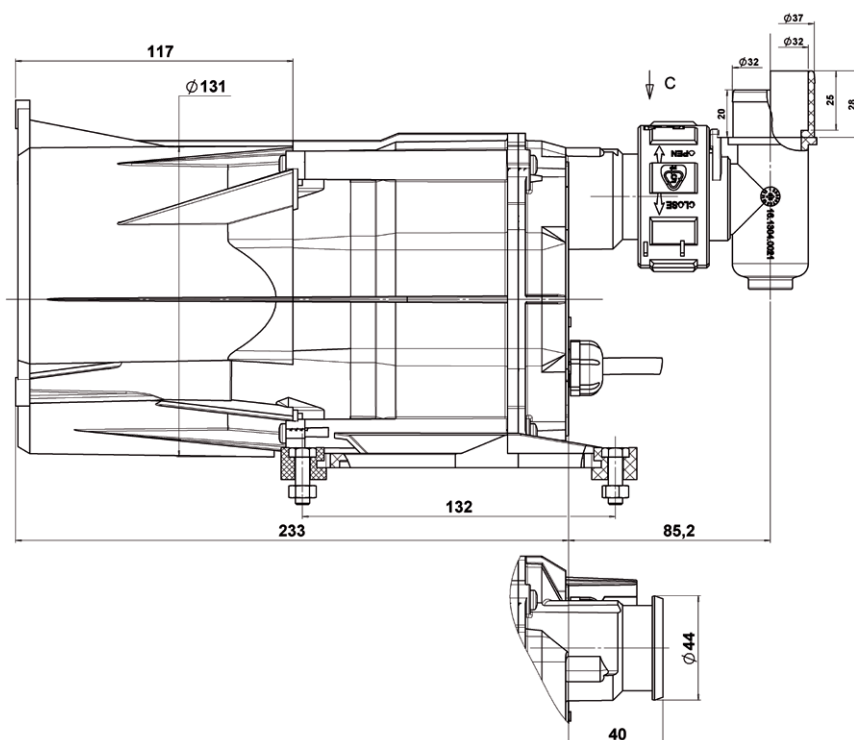
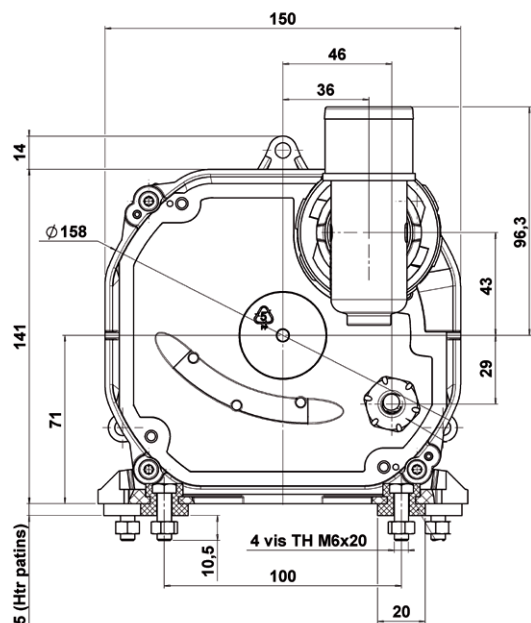
Blower A-900

Motor : 900 W
 Heating option : 300W
 Total power with heater : 1200W



— Blower A900 — Blower A500 — Blower A700





Options

220 V / 50 Hz
220 V / 60 Hz
110 V / 60 Hz

Variable speed :
130 V to 230 V (MV)

Pneumatic switch (CP)

Electric cable
0,5 / 1 / 1,5 / 2 / 2,5 m

1 function electric card for electric control
+ water level sensor (1F-EL)

1 function electric card for pneumatic
control + water level sensor (1F-CP)

General

These pumps comply with the standards
and directives in force

Conform to standards :
EN 60 335-1
EN 60 335-2-41

According to the CE regulation

Validated and qualified by the
organization TÜV

OPTIONS

HEATER «R»	- Electric power 300 watts - Overload temperature : 80°C +/- -5°C - Fuse thermal overload protection : 117°C +/- 5°C
OZONE LAMP «L» (printed circuit)	- Electric supply : 2,6 watts - Intensity : 12mA
PNEUMATIC SWITCH «SA»	- Start pressure : 80mBar +/- 3 mBar - Stop pressure : 110mBar +/- 3mBar

ACCESSORIES

		Ref
SILENT BLOCK	Silent block Ø20 - H20 threaded M6	241700009
	Pack of 4 silent block	2417041018
PIPE	Flexible pipe for air distributors Ø32	0822320008
	Flexible pipe for air distributors Ø37	Please ask us