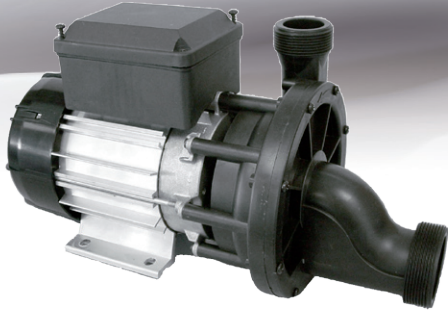


High flow pump



Applications

Pump for whirlpool baths with strong capacity

Pump designed for electronic variation

Technical Features

0 to 30 m³/hr
0 to 1,7 bar

Pump body in polypropylene
Complete draining

8 discharge positions
5 connection box positions

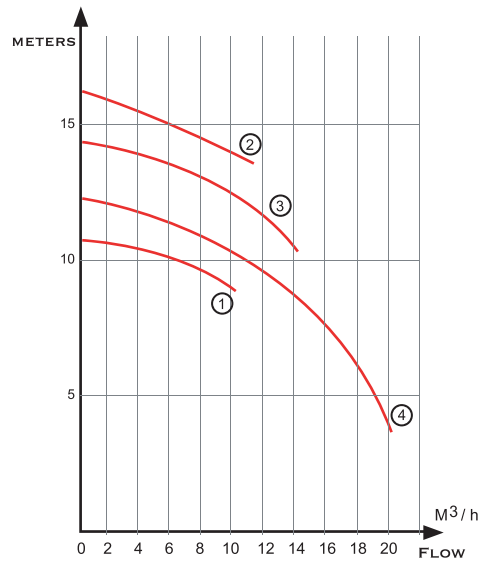
Inlet (threaded) :

Ø Ext. G2" male - Ø Int. 40
Ø Ext. G2"1/4 male - Ø Int. 50

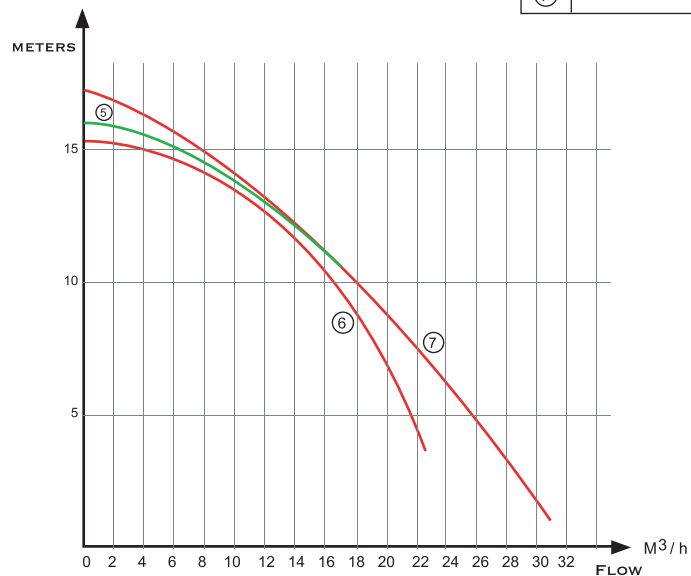
Outlet :

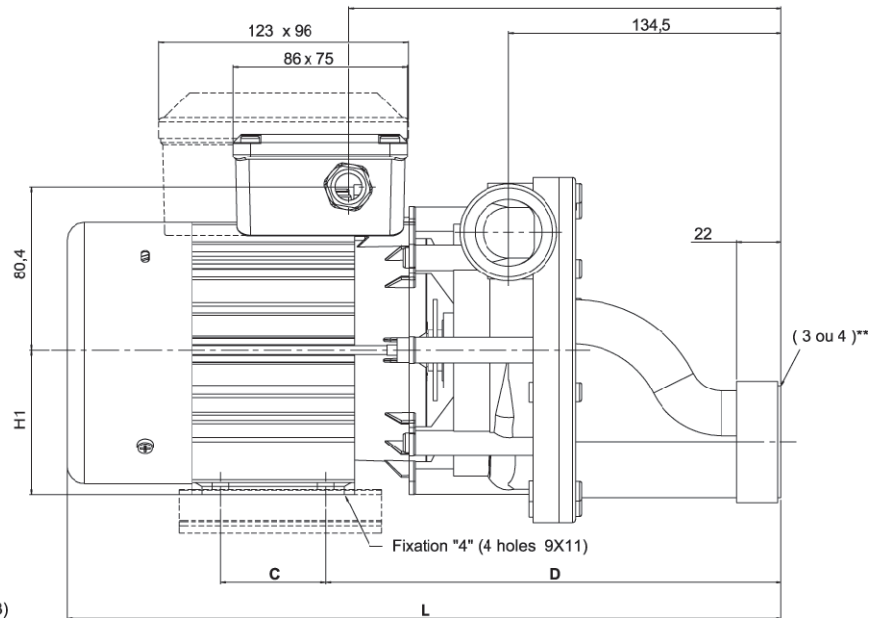
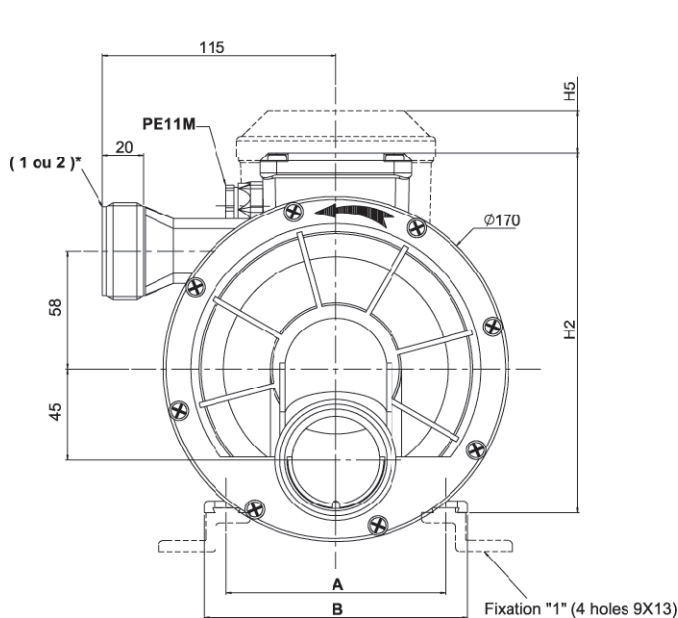
Ø Ext. G1"1/2 male - Ø Int. 32
Ø Ext. G2" male - Ø Int. 40
Ø Ext. G2"1/4 male

Single Phase Type	Electric Power (W)	L (mm)	Weight (Kg)
PB 1C 250 L4B	560	331	6.6
PB 1C 270 L4B	900	351	8
PB 1C 285 L4B	1150	366	9
PB 1C 80 L4B	1350	388	10



①	PB 1C 250 KB	Imperler / Turbine Ø 88
②		Imperler / Turbine Ø 107
③	PB 1C 270 KB	Imperler / Turbine Ø 100
④		Imperler / Turbine Ø 93
⑤	PB 1C 285 KB	Imperler / Turbine Ø 107
⑥		Imperler / Turbine Ø 100
⑦	PB 1C 80 KB	Imperler / Turbine Ø 107





	L	A	B	C	D
PB 1C250 PB 3250	332	108	130	32	220,5
PB 1C270 PB 3270	352	108	130	52	220,5
PB 1C285 PB 3285	366	108	130	67	220,5
PB 1C80 PB 80	388	125	147	100	219

Options

220 V / 50 Hz
220 V / 60 Hz
110 V / 60 Hz

Variable speed :
130 V to 230 V (MV)

Pneumatic switch (CP)

Electric cable
0,5 / 1 / 1,5 / 2 / 2,5 m

1 function electric card for electric control
+ water level sensor (1F-EL)

1 function electric card for pneumatic
control + water level sensor (1F-CP)

General

These pumps comply with the standards
and directives in force

Conform to standards :
EN 60 335-1
EN 60 335-2-41

According to the CE regulation

Validated and qualified by the
organization TÜV

	Types	Ref.	Illustrations
Tee Pump Fittings	Tee pump Ø 33.7 (thread 2")	1112330007	
	Tee pump Ø 32 (thread 2"1/4)	1112320007	
	Tee pump Ø 25 grooved	1112250007	
	Tee pump «Y» Ø 25	0313630001	
Pump Union Fittings	Pump union (thread ASA)	1112000008	
	Pump union Ø 50 (thread 2"1/4)	1112230018	
	Pump union Ø 40 (thread 2")	1112230028	
	Pump union elbow 90° Ø 50	1112590007	
	Pump union elbow 45° Ø 50	1112540007	
Leg for jet pump	Silent block Silent block (x4) Silent Block Ø 20 / H 20 Silent Block Ø 20 / H 30	2417000008 2417041018 2417000018 2417300018	