

High performance pump



Applications

Pump for whirlpool baths with strong capacity

Pump designed for electronic variation

Technical Features

0 to 20 m³/hr
0 to 0.6 bar

Pump body in polypropylene
Compactness
Complete draining

8 discharge positions
5 connection box positions

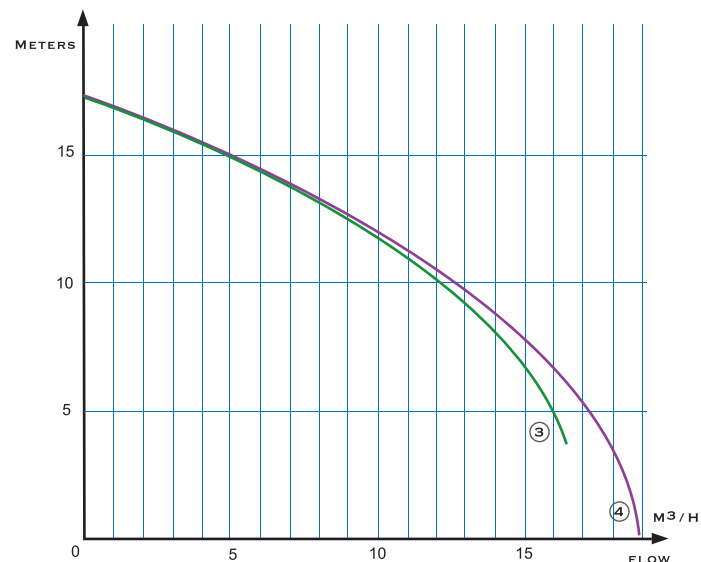
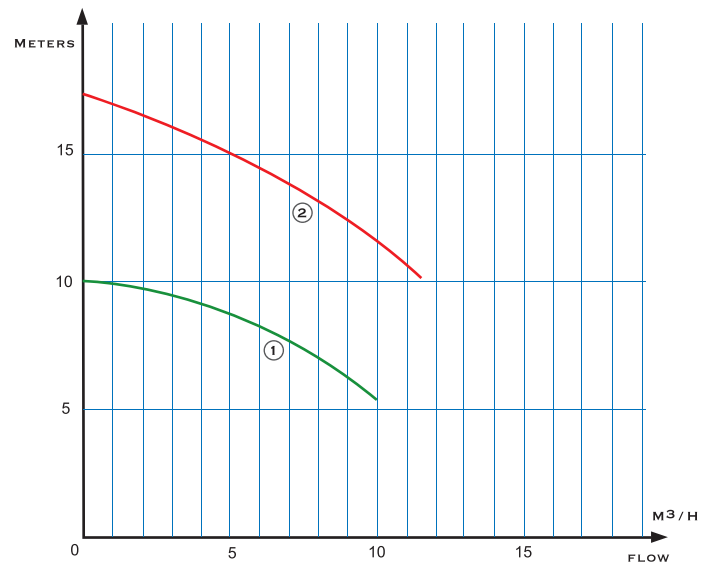
Inlet :

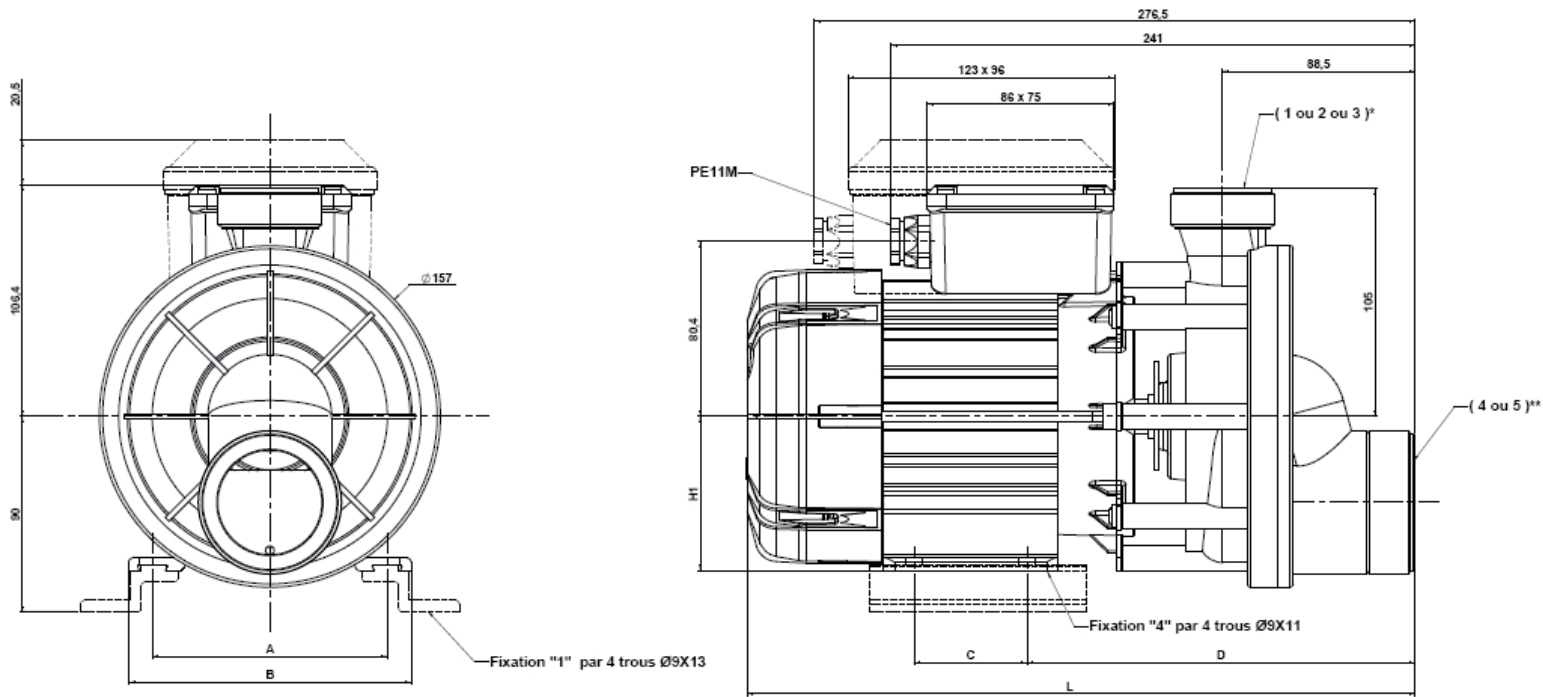
Ø Ext. G2"1/4 male - Ø Int. 50
or threaded ASA

Outlet :

Ø Ext. G1"1/2 male - Ø Int. 32
Ø Ext. G2"1/4 male - Ø Int. 50
or threaded ASA

Single Phase Type	Electric Power (W)	L (mm)	Weight (Kg)	Curve
PB 1C 250 N4B	560	285.5	6.6	1
PB 1C 270 N4B	900	305.5	8	2
PB 1C 285 N4B	1150	320.5	9	3
PB 1C 80 N4B	1350	342.5	10	





	L (mm)	A (mm)	B (mm)	C (mm)	D (mm)	H1 (mm)	H2 (mm)
PB 1C 250 PB 3 250	287.2	108	130	32	220.5	71	178.5
PB 1C 270 PB 3 270	307.2	108	130	52	220.5	71	178.5
PB 1C 285 PB 3 285	322.2	108	130	67	220.5	71	178.5
PB 1C 80 PB 3 80	337.2	125	147	100	219	80	173

Options

220 V / 50 Hz
 220 V / 60 Hz
 110 V / 60 Hz

Variable speed :
 130 V to 230 V (MV)

Pneumatic switch (CP)

Electric cable
 0,5 / 1 / 1,5 / 2 / 2,5 m

1 function electric card for electric control
 + water level sensor (1F-EL)

1 function electric card for pneumatic
 control + water level sensor (1F-CP)

General

These pumps comply with the standards
 and directives in force

Conform to standards :
 EN 60 335-1
 EN 60 335-2-41

According to the CE regulation

Validated and qualified by the
 organization TÜV

	Types	Ref.	Illustrations
Tee Pump Fittings	Tee pump Ø 33.7 (thread 2")	1112330007	
	Tee pump Ø 32 (thread 2 1/4)	1112320007	
	Tee pump Ø 25 grooved	1112250007	
	Tee pump «Y» Ø 25	0313630001	
Pump Union Fittings	Pump union (thread ASA)	1112000008	
	Pump union Ø 50 (thread 2 1/4)	1112230018	
	Pump union Ø 40 (thread 2")	1112230028	
	Pump union elbow 90° Ø 50	1112590007	
	Pump union elbow 45° Ø 50	1112540007	
Leg for jet pump	Silent block Silent block (x4) Silent Block Ø 20 / H 20 Silent Block Ø 20 / H 30	2417000008 2417041018 2417000018 2417300018	